

ISD-0370

IP67 Rugged 5G Edge Network Appliance



Images are for reference only. See ordering information for SKU details.

■ Features

- Fanless Design Compliant with IP67 and MIL-STD-810G
- Intel® Atom® C3000 Extended Temperature CPU (Denverton)
- 2x DDR4 up to 2133 MHz ECC SODIMM Slots, Default 16GB x1
- M12 I/O: SR-IOV for 4x LAN, 2x PoE+ (By SKU), 1x USB, 1x Console
- Wide Operating Temperature: -40~70°C / -40~60°C (By SKU)
- 1x M.2 Socket for 5G, 1x M.2 socket for Wi-Fi 6, 1x Mini-SIM
- Intel® QuickAssist Technology
- On-board eMMC 64/128GB (By SKU), 1x M.2 2242 B Key, TPM 2.0

■ Specifications

Platform	
Form Factor	Desktop
Processor Options	Intel® Atom® C3000 (Denverton)
CPU Socket	Onboard
Chipset	SoC
Security Acceleration	Intel® QuickAssist Technology
BIOS	AMI SPI Flash BIOS
System Memory	
Technology	DDR4 up to 2133 MT/s ECC SODIMM
Max. Capacity	Up to 64GB, Default ECC RAM 16GB
Socket	2x 260-pin SODIMM
Networking	
Ethernet Ports	4x or 6x Ethernet Ports, support SR-IOV, GbE PoE+ & 2.5GbE LANs (By SKU), by M12 X-coded 8-pin Female Connector with Isolation 1.5KVDC
I/O Interface	
Console	1x RS232/422/485 by M12 X-coded 8pin Female connector with isolation 1.5KVDC
USB	1x USB 2.0 by M12 A-coded 8pin Male connector
Storage	
HDD/SSD Support	1x M.2 2242 B-key / SATA III
eMMC	Onboard eMMC 64/128GB TLC (By SKU)
Expansion	
M.2	1x M.2 304(5)2 B-Key socket for 5G
M.2	1x M.2 2230 E-Key socket for WiFi 6
SIM Card Slot	1x Mini-SIM & 1x eSIM (reserved)
Miscellaneous	
Watchdog	Yes
Internal RTC with Li Battery	Yes
TPM	Onboard TPM 2.0
Cooling	
Processor	Passive CPU Heatsink

System	Fanless
Environmental Parameters	
Temperature	-40~70°C Operating (SKU D/F/H/J/K/L) -40~60°C Operating (SKU C/E/G/I) -40~85°C Ambient storage
Humidity (RH)	5~90% Operating 5~95% Non-Operating
System Dimensions	
Dimensions (WxDxH)	370 x 210 x 83 mm
Weight	4.6 kg
Package Dimensions	
Dimensions (WxDxH)	450 x 324 x 195 mm
Weight	5.2 kg
Power	
Type / Watts	DC-IN, Up to 130W
Input	Rated 24-36Vdc (range 9-50Vdc), supports with reverse protection by M12 K-coded 5pin Male connector with isolation 1.5KVDC
Certification	
Approvals and Compliance	CE/FCC class A, UL 62368-1, CB, IP67, MIL-STD-810G
OS	
Linux	Kernel

Rugged Appliance

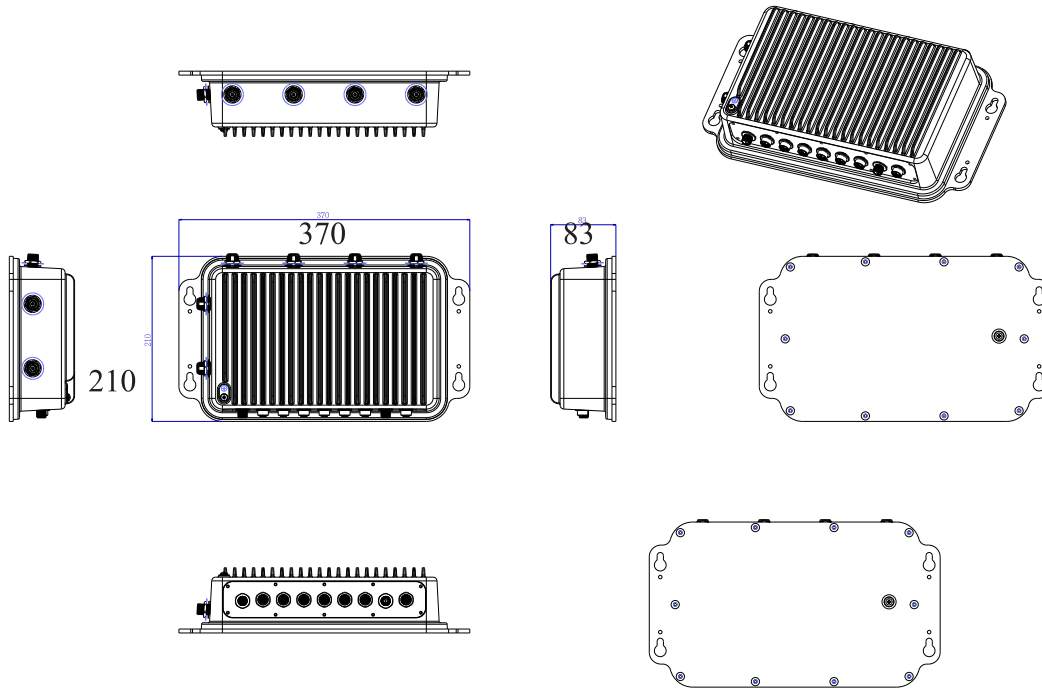
Product I/O View

Images are for reference only. See ordering information for SKU details.



- | | | | |
|--------------------------------|--------------------------------|-------------------------|--------------------------|
| A 5G Antennas | D PoE+ 5/LAN 3 (By SKU) | G LAN 2 (By SKU) | J Console Port |
| B DC input | E LAN 4/2 (By SKU) | H LAN 1 (By SKU) | K Wall mount hole |
| C PoE+ 6/LAN 4 (By SKU) | F LAN 3/1 (By SKU) | I USB | L WiFi Antennas |

Dimensions (WxDxH) 370mm x 210mm x 83mm



Ordering Information

- | | |
|------------------|--|
| ISD-0370C | Intel Atom C3808, 64GB eMMC, 6x GbE LAN (2x PoE+), -40~60°C, Design Reserved for Thales/Telit/Quectel 5G Modules |
| ISD-0370D | Intel Atom C3708, 64GB eMMC, 6x GbE LAN (2x PoE+), -40~70°C, Design Reserved for Thales/Telit/Quectel 5G Modules |
| ISD-0370E | Intel Atom C3808, 64GB eMMC, 6x GbE LAN (2x PoE+), -40~60°C, Design Reserved for Sierra 5G Module |
| ISD-0370F | Intel Atom C3708, 64GB eMMC, 6x GbE LAN (2x PoE+), -40~70°C, Design Reserved for Sierra 5G Module |
| ISD-0370G | Intel Atom C3808, 128GB eMMC, 4x GbE LAN (2x PoE+), 2x 2.5GbE, -40~60°C, Design Reserved for Thales/Telit/Quectel 5G Modules |
| ISD-0370H | Intel Atom C3708, 128GB eMMC, 4x GbE LAN (2x PoE+), 2x 2.5GbE, -40~70°C, Design Reserved for Thales/Telit/Quectel 5G Modules |
| ISD-0370I | Intel Atom C3808, 128GB eMMC, 4x GbE LAN (2x PoE+), 2x 2.5GbE, -40~60°C, Design Reserved for Sierra 5G Module |
| ISD-0370J | Intel Atom C3708, 128GB eMMC, 4x GbE LAN (2x PoE+), 2x 2.5GbE, -40~70°C, Design Reserved for Sierra 5G Module |
| ISD-0370K | Intel Atom C3508, 128GB eMMC, 4x GbE LAN, -40~70°C, Design Reserved for Thales/Telit/Quectel 5G Modules |
| ISD-0370L | Intel Atom C3508, 128GB eMMC, 4x GbE LAN, -40~70°C, Design Reserved for Sierra 5G Module |

Lanner